

Sealed Against Dust & Water Intrusion to ensure reliable circuit protection for the life of the electrical system installation

High Voltage (48 Vdc) Rating easily supports 12 and 24 Vdc applications while offering advanced protection for 36 and 48 Vdc applications

Meets New ABYC E-11 Interrupt Requirements

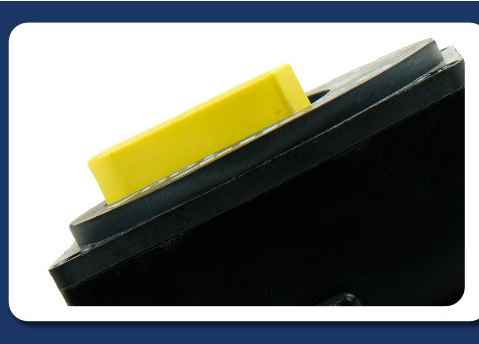
High Interrupt Current safely protects circuits connected to large paralleled battery banks with significant available power

Ignition Protected safe for installation in closed compartments with potential explosive gases

Harsh Environment design with stainless steel hardware self-locking terminal nuts



4707 Series Panel Mount Circuit Breakers



4704 Series Surface Mount Circuit Breakers



Protects Electrical Circuits from short circuit events and over-current loads, preventing wire insulation overheating and subsequent destruction.



Automatic Circuit Protection & Manual On/Off Switching combines dual functionality in one reliable and compact solution.



Visual Indication of Circuit Opened with bright yellow paddle, also used for re-setting to On.

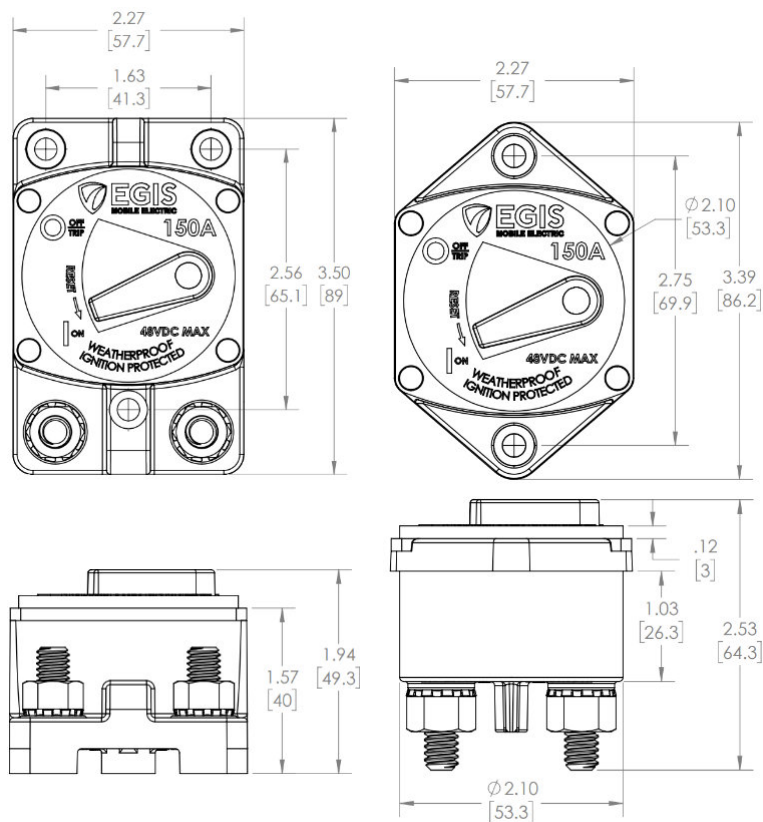


Bullet-proof Construction: Sealed device, high temp materials for engine compartment applications, and stainless self-locking hardware.

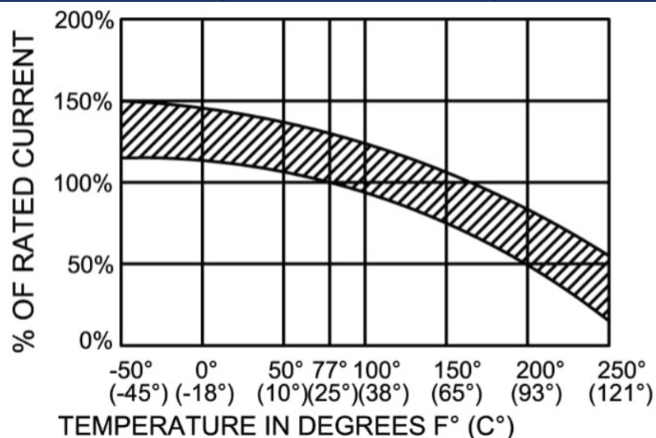


4 Year Industry Leading Warranty

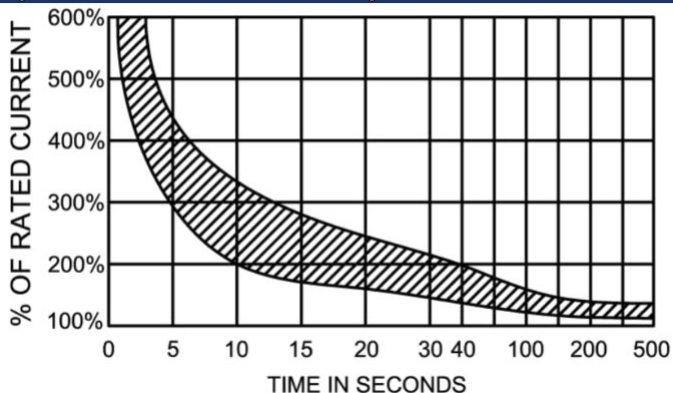
Product Dimensions



Current De-Rating vs Ambient Temperature



Trip Current vs Time Delay



Electrical Specifications

Max Operational Voltage	48 Vdc
Short Circuit Interrupt Rating (14 Vdc)	5,000 Amps
Short Circuit Interrupt Rating (28 Vdc)	3,000 Amps
Short Circuit Interrupt Rating (48 Vdc)	1,500 Amps
Wire Size to Meet Rating (50 A)	#8 AWG (10 mm ²)
Wire Size to Meet Rating (60 A)	#6 AWG (16 mm ²)
Wire Size to Meet Rating (80 A)	#4 AWG (25 mm ²)
Wire Size to Meet Rating (100 - 120 A)	#2 AWG (35 mm ²)
Wire Size to Meet Rating (150 A)	1/0 AWG (50 mm ²)
Wire Size to Meet Rating (200 A)	2/0 AWG (85 mm ²)
Wire Size to Meet Rating (250 A)	2/0 AWG (85 mm ²)

Specifications

Max Operating Temperature	85 C
Min Operating Temperature	-40 C
Max Storage Temperature	150 C
Min Storage Temperature	-50 C
Hardware Material	Stainless, Self-Locking
Terminal Stud Size	5/16"-18
Max Terminal Stud Torque	75 in-lbs (8.5 N-m)
Cable Terminal Stud Hole Size	5/16" (M8) Nominal
Ignition Protection	SAE J1171
Flammability Rating	UL 94 V0
Operating Humidity	0 to 90% RH
Ingress Protection	IP66
Mechanical Vibration	12g
Mechanical Shock	35g / 10 cycles
Compliance	RoHs, SAE J553, ABYC-E-11
RoHs Compliant?	Yes

Part Numbers

	Panel Mount	Surface Mount
87 Series Thermal Circuit Breaker, 25A	4704-025B	4707-025B
87 Series Thermal Circuit Breaker, 30A	4704-030B	4707-030B
87 Series Thermal Circuit Breaker, 40A	4704-040B	4707-040B
87 Series Thermal Circuit Breaker, 50A	4704-050B	4707-050B
87 Series Thermal Circuit Breaker, 60A	4704-060B	4707-060B
87 Series Thermal Circuit Breaker, 70A	4704-070B	4707-070B
87 Series Thermal Circuit Breaker, 80A	4704-080B	4707-080B
87 Series Thermal Circuit Breaker, 90A	4704-090B	4707-090B
87 Series Thermal Circuit Breaker, 100A	4704-100B	4707-100B
87 Series Thermal Circuit Breaker, 120A	4704-120B	4707-120B
87 Series Thermal Circuit Breaker, 135A	4704-135B	4707-135B
87 Series Thermal Circuit Breaker, 150A	4704-150B	4707-150B
87 Series Thermal Circuit Breaker, 200A	4704-200B	4707-200B
87 Series Thermal Circuit Breaker, 250A	4704-250B	4707-250B

** For Retail Pack Part Numbers, Remove "B" suffix from End of Part Number



www.egismobile.com
360.768.1211
Bellingham, WA U.S.A

